



## PATIENT & CAREGIVER EDUCATION

# About Your PET-CT with Cerianna Tracer

This information will help you get ready for your positron emission tomography (PET) computed tomography (CT) scan with Cerianna tracer at MSK.

## About your PET-CT with Cerianna tracer

A PET-CT scan is an imaging procedure that is used to:

- Find cancer cells.
- Plan your treatment.
- See how your treatment is working.

You'll have a CT scan with a low dose of radiation at the same time as your PET scan. CT scans take a fast series of X-ray pictures. They're combined with your PET scan to create pictures of your soft tissues and bones.



You may also be scheduled for a diagnostic CT at the same time as your PET-CT. A diagnostic CT lets your healthcare provider learn more about your tissues, bones, and blood vessels. Ask your healthcare provider for the resource *Computed Tomography (CT) Scan* ([www.mskcc.org/pe/ct-scan](http://www.mskcc.org/pe/ct-scan)) to help you get ready.

## Tracer

You'll get a radioactive medicine called a tracer before your PET-CT. The tracer is attached to a substance your cells and tissues use. Cancer cells do not use the substance the same way as healthy cells. The radioactive part of the tracer lets your healthcare provider see how your cells use the substance. This helps them find cancer cells.

The tracer doesn't stay in your body long. It leaves your body mainly through your urine.

You will get the tracer through an intravenous (IV) line we place in your arm or hand. If you have a central venous catheter (CVC), we will only use it for the tracer if we cannot

place an IV for any reason. This is because the PET-CT images are clearer if you get the tracer through an IV.

Your PET-CT will use Cerianna as the tracer.

## **Getting ready for your PET-CT with Cerianna tracer**

### **Breastfeeding and pregnancy**

Tell your healthcare provider if you're pregnant or breastfeeding. This will help them plan your care.

### **Take devices off your skin**

You may wear certain devices on your skin. Before your procedure, surgery, or scan, some device makers recommend you take off your:

- Continuous glucose monitor (CGM)
- Insulin pump

Talk with your healthcare provider about scheduling your appointment closer to the date you need to change your device. Make sure to bring an extra device with you to put on after your procedure, surgery, or scan.

You may not be sure how to manage your glucose (blood sugar) while your device is off. If so, before your appointment, talk with the healthcare provider who manages your diabetes care.

### **Ask about your medicine**

You may need to stop taking certain medications, such as Tamoxifen and Fulvestrant, before your PET-CT. Talk with your healthcare provider about how to safely stop taking these medications if you're on them.

### **Remove jewelry**

Jewelry can make the images from your scan harder to read. Certain metals can also heat up and cause burns during your scan. Tell a member of your care team if you cannot remove your jewelry before the day of your scan.

# What to do the day before your PET-CT with Cerianna tracer

If you're getting anesthesia (A-nes-THEE-zhuh), read the "For people getting anesthesia" section at the end of this resource. Anesthesia is medicine to numb you or make you sleep.

## What to do the day of your PET-CT with Cerianna tracer

Take only the medicine your doctor told you to take the morning of your procedure.

### What to expect when you arrive

Many staff members will ask you to say and spell your name and birth date. This is for your safety. People with the same or similar names may be having a procedure on the same day. Once you're in the department, you'll fill out a brief questionnaire.

Your care team will inject the tracer into your vein. You'll wait 60 minutes for your body to absorb the tracer. How long this takes will depend on the area of your body being scanned.

Try to relax and limit your movement during this time. You can sleep, read, listen to music, or watch videos while you're waiting. Ask for a blanket if you feel cold.

Your care team will ask you to urinate (pee) just before your scan.

### During your PET-CT with Cerianna tracer

When it's time for your scan, your technologist will bring you to the scanning room. They will help you onto the scanning table.

The machine looks like a large doughnut with a hole in the middle (see figure 1). This is the scanning ring (scanner). The scanner is about 3 feet (1 meter) deep.

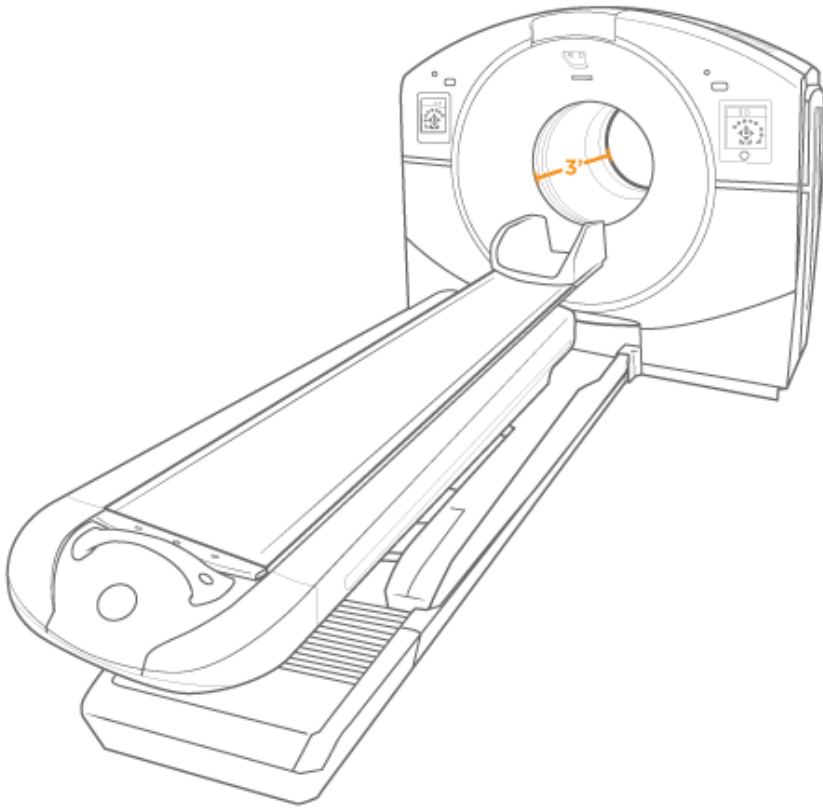


Figure 1. PET-CT machine

Once you're on the scanning table, the table will move slowly through the scanning ring. You must lie very still until your scan is done. This can take 20 to 45 minutes, depending on the type of scan you're having.

If you're also scheduled for a diagnostic CT scan, you'll get a contrast infusion through your IV or CVC. An infusion is when medicine is slowly put into your bloodstream. This will happen after your technologist takes the first series of pictures.

To learn more, read *.Computed Tomography (CT) Scan* ([www.mskcc.org/pe/ct-scan](http://www.mskcc.org/pe/ct-scan))

## What to do after your PET-CT with Cerianna tracer

You may leave as soon as your scan is done, unless you have other tests or procedures scheduled. You'll get a card stating that you had a test done with a radioactive tracer and your test date. Keep this card with you because some security equipment can find radioactivity until it leaves your body. This should take less than a day.

It's important that you limit close contact with babies or pregnant people as much as possible for 12 hours after your scan. Otherwise, you can go about your day as usual, including having visits with your healthcare providers.

If you're breastfeeding, stop breastfeeding for 12 hours after your scan. You can still express (pump) milk during that time.

You can then either:

- Throw away the pumped milk.
- Store the pumped milk for 12 hours. After that, it's safe to give to the baby.

During this time, you can feed the baby with formula or milk that was expressed before the scan. You can restart breastfeeding 12 hours after your scan.

Remember to stay hydrated after your scan. Drink water and other fluids throughout the rest of the day to help remove the tracer from your body. You can go back to your normal diet right away, unless you're given other instructions.

## **When to call your care team**

Watch the insertion site (where the IV went into your body) for 48 hours (2 days) after your scan. Call your care team if you notice any changes in the area, such as:

- Pain or a burning feeling
- Redness or other skin color changes
- Swelling
- Broken skin
- Blisters or liquid draining
- Numbness, tingling, or other changes in sensation (feeling)
- Warm or hot skin

You do not need to do this if you got the tracer through your CVC.

## **Getting your results**

A radiologist will read your scan and send your results to your doctor. If your PET-CT was done to find cancer cells, your doctor should have your results in 2 business days. Ask your doctor how they will share your results with you. If your PET-CT was done to plan your treatment, your doctor will use the images to plan your care.

## Contact information

If you have any questions or concerns, call the Molecular Imaging and Therapy Service (MITS, or the Nuclear Medicine service) at 212-639-6652. You can reach a staff member Monday through Friday from 9 a.m. to 5 p.m. After 5 p.m., during the weekend, and on holidays, call 212-639-2000.

# For people getting anesthesia

Follow these instructions if you are getting anesthesia during your PET-CT.

## What to do the day before your PET-CT

### Arrange for someone to take you home

You must have a responsible care partner take you home after your procedure. A responsible care partner is someone who can help you get home safely. They should be able to contact your care team if they have any concerns. Make sure to plan this before the day of your procedure.

If you don't have a responsible care partner to take you home, call one of the agencies below. They'll send someone to go home with you. There's a charge for this service, and you'll need to provide transportation. It's OK to use a taxi or car service, but you still need a responsible care partner with you.

Agencies in New York	Agencies in New Jersey
VNS Health: 888-735-8913	Caring People: 877-227-4649
Caring People: 877-227-4649	

## Instructions for eating

**Important:** If you take a GLP-1 medicine, do not follow these instructions. Follow the instructions in *Eating and Drinking Before Your Surgery or Procedure When Taking GLP-1 Medicines* ([www.mskcc.org/pe/eat-drink-glp1](http://www.mskcc.org/pe/eat-drink-glp1)) instead.



**Stop eating at midnight (12 a.m.) the night before your surgery or procedure.** This includes hard candy and gum.

Your healthcare provider may have given you different instructions for when to stop eating. If so, follow their instructions. Some people need to fast (not eat) for longer before their surgery or procedure.

# What to do the day of your PET-CT

## Instructions for drinking

**Important:** If you take a GLP-1 medicine, do not follow these instructions. Follow the instructions in *Eating and Drinking Before Your Surgery or Procedure When Taking GLP-1 Medicines* ([www.mskcc.org/pe/eat-drink-glp1](http://www.mskcc.org/pe/eat-drink-glp1)) instead.

Between midnight (12 a.m.) and 2 hours before your arrival time, only drink the liquids on the list below. Do not eat or drink anything else. Stop drinking 2 hours before your arrival time.

- Water.
- Clear apple juice, clear grape juice, or clear cranberry juice.
- Gatorade or Powerade.
- Black coffee or plain tea. It's OK to add sugar. Do not add anything else.
  - Do not add any amount of any type of milk or creamer. This includes plant-based milks and creamers.
  - Do not add flavored syrup.

If you have diabetes, pay attention to the amount of sugar in your drinks. It will be easier to control your blood sugar levels if you include sugar-free, low-sugar, or no added sugar versions of these drinks.

It's helpful to stay hydrated before surgeries and procedures, so drink if you are thirsty. Do not drink more than you need. You will get intravenous (IV) fluids during your surgery or procedure.



**Stop drinking 2 hours before your arrival time.** This includes water.

Your healthcare provider may have given you different instructions for when to stop drinking. If so, follow their instructions.

For more resources, visit [www.mskcc.org/pe](http://www.mskcc.org/pe) to search our virtual library.

About Your PET-CT with Cerianna Tracer - Last updated on April 1, 2026

All rights owned and reserved by Memorial Sloan Kettering Cancer Center

### Last Updated

April 1, 2026

Learn about our [Health Information Policy](#).

# Tell us what you think

## Tell us what you think

Your feedback will help us improve the educational information we provide. Your care team cannot see anything you write on this feedback form. Please do not use it to ask about your care. If you have questions about your care, contact your healthcare provider.

While we read all feedback, we cannot answer any questions. Please do not write your name or any personal information on this feedback form.

Was this information easy to understand?

Yes

Somewhat

No

What could we have explained better?

Please do not write your name or any personal information.

Submit