


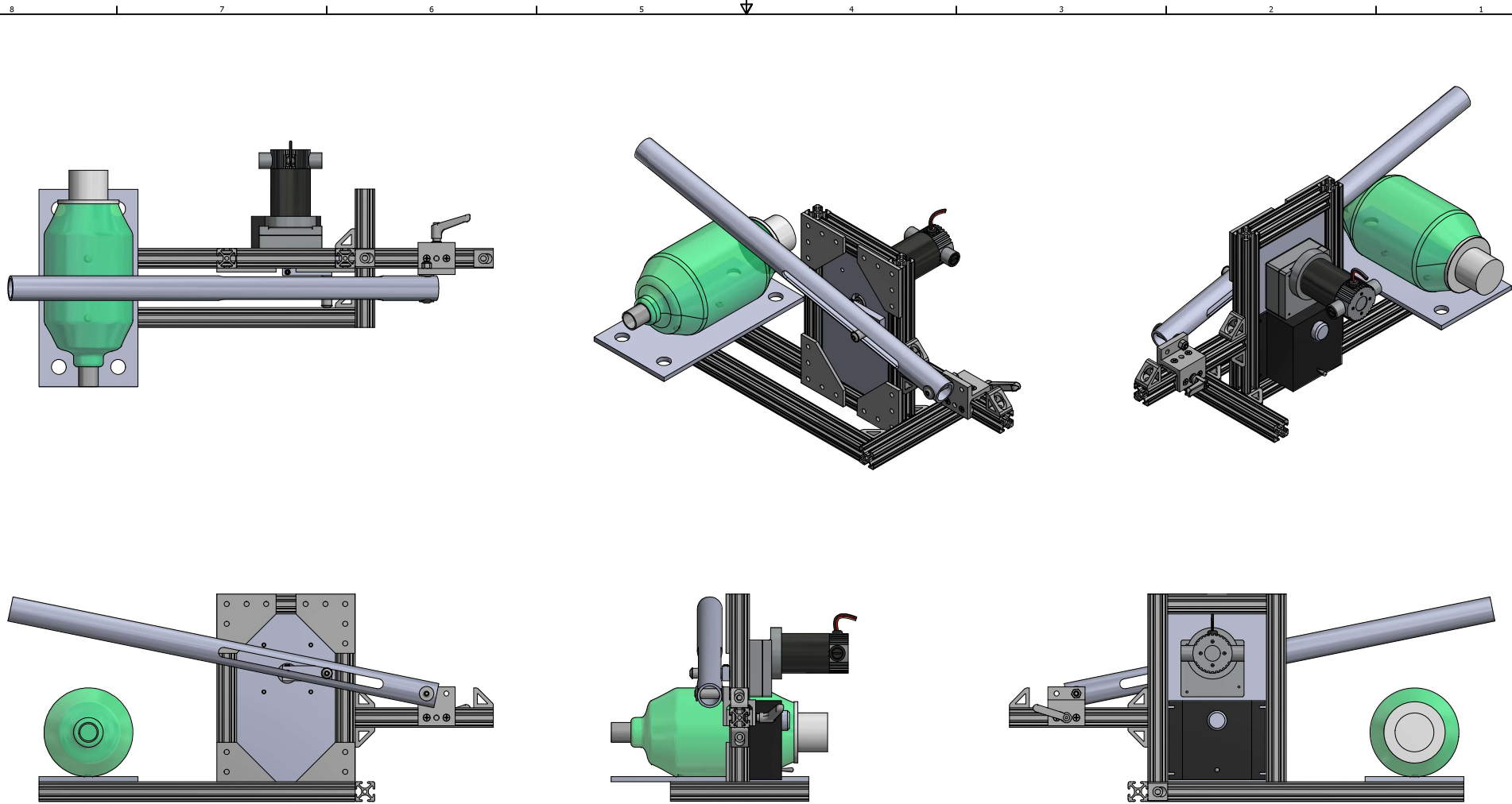
PARTS LIST		
ITEM	QTY	PART NUMBER
1	1	Ambu Bag
2	1	Controller - Grainger 4Z827
3	1	Motor - Grainger 1LPV5
4	1	Motor Mounting Plate
5	1	AmbuBag Mounting Plate
6	1	Compression Arm
7	1	Crank Arm
8	2	T-slot 1"sq. x 16in
9	2	T-slot 1"sq. x 9.5in
10	2	T-slot 1"sq. x 7.5in
11	1	T-slot 1"sq. x 5in
12	1	T-slot 1"sq. x 2in
13	2	McMaster-95630A475_PTFE FLAT WASHER
14	1	McMaster-91831A029_TYPE 18-8 STAINLESS STL NYLON-INSERT LOCKNUT
15	1	McMaster-90309A380_BRASS UNTHRD SPACER
16	2	McMaster-97654A356_18-8 SS FLANGED BUTTON HEAD SCREW
17	1	McMaster-90309A381_BRASS UNTHRD SPACER
18	1	McMaster-91375A534_ALLOY STEEL CUP POINT SET SCREW
19	1	McMaster-60585K310 Brake Handle
20	1	McMaster-47065T953_Slide
21	7	McMaster-47065T663 Corner Bracket
22	4	McMaster-47065T267 Corner Plate
23	2	McMaster-47065T139 T-Bolt

MATERIAL:		FINISH:	
UNLESS OTHERWISE SPECIFIED DIMENSION ARE IN INCHES			
TOLERANCES			
DECIMALS	FRACTION	ANGULAR	
.XX	±.01	±1/64	± 2'
.XXX	±.005		
.XXXX	±.0025		
DO NOT SCALE DRAWING BREAK ALL SHARP EDGES			
COST CTR. #	PROJECT / RECD#	FILE: MWL_Asembly_C01.dwg	SCALE
D		MAV_Assembly	1 OF 3 00

MEMORIAL SLOAN KETTERING CANCER CENTER  
 Mechanical Bag Ventilator Assembly


DESIGNER	DATE	APP'D BY	DATE	NEXT ASSY.
S. Hellman	4/9/2020	S. Hellman	4/9/2020	

© 2020 Memorial Sloan Kettering Cancer Center. All content published or provided under the MSK Covid-19 Innovation Hub is licensed under a Creative Commons Attribution-NonCommercial-ShareAlike 4.0 International License, which terms may be found at <https://creativecommons.org/licenses/by-nc-sa/4.0/>, including appropriate attribution to MSK. The information provided on the MSK Covid-19 Innovation Hub, including any downloadable content and file, is presented for informational purposes only and subject to the terms and conditions set forth on the MSK Covid-19 Innovation Hub webpage. Memorial Sloan Kettering Cancer Center is not responsible or liable under any theory of liability, for any use or application of any information presented on the MSK Covid-19 Innovation Hub and you assume any and all responsibility for your use thereof.



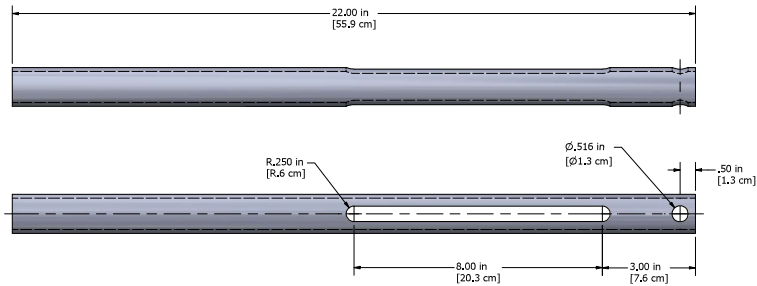
MATERIAL:		FINISH:			
UNLESS OTHERWISE SPECIFIED DIMENSION ARE IN INCHES					
TOLERANCES					
DECIMALS	FRACTION	ANGULAR			
.XX	±.01	±1/64	±.5°		
.XXX	±.005				
.XXXX	±.0005				
DO NOT SCALE DRAWING BREAK ALL SHARP EDGES					
COST CTR. #	PROJECT / REC#	FILE: MWL_Asembly_C01.dwg	SCALE		
D	MAV_Assembly		2 OF 3	00	

MEMORIAL SLOAN KETTERING CANCER CENTER

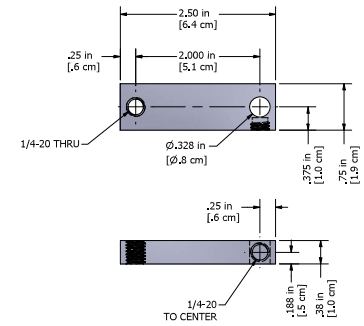
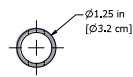
 Mechanical Bag Ventilator Assembly

DESIGNER	DATE	APP'D BY	DATE	NEXT ASSY.
----------	------	----------	------	------------

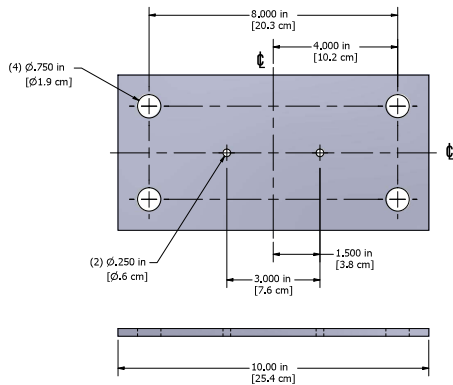
S. Hellman	4/9/2020	S. Hellman	4/9/2020	
------------	----------	------------	----------	--



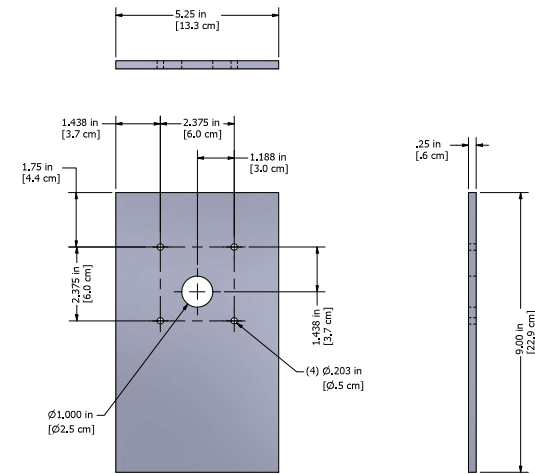
**COMPRESSION ARM**  
Mat'l: 1.25" DIA. O.D x 1.0" DIA. I.D.  
Alum. Tube



**CRANK ARM**  
Mat'l: Alum.



**AMBUBAG MOUNTING PLATE**  
Mat'l: 1/4" THK. ACRYLIC



**MOTOR MOUNTING PLATE**  
Mat'l: 1/4" THK. Alum.

**FABRICATED PARTS**

MATERIAL:		FINISH:			
UNLESS OTHERWISE SPECIFIED DIMENSION ARE IN INCHES					
TOLERANCES					
DECIMALS	FRACTION	ANGULAR			
.XX	+ .01	+ 1/64	± 2°		
.XXX	+ .005				
.XXXX	+ .0005				
DO NOT SCALE DRAWING BREAK ALL SHARP EDGES					
COST CTR. #	PROJECT / REQ#	FILE: MWL_Asembly_C01.dwg	SCALE	REV.	
D	MAV_Assembly		3 OF 3	00	

MEMORIAL SLOAN KETTERING CANCER CENTER

Mechanical Bag Ventilator Assembly

DESIGNER DATE APPV'D BY DATE NEXT ASSY.

S. Hellman 4/9/2020 S. Hellman 4/9/2020